

A30

1 Patented tower head with futuristic design and advanced engineering is the distinctive feature of the A30. Specially developed ceramic nozzles with integrated nucleators ensure perfect atomization, maximum throw and the best snow quality. High-pressure nozzle propulsion is the key to significantly enhanced cross-wind tolerance. The proven design of the tower head guarantees no icing in headwind or at very low temperatures. **2 Valve block** High-grade aluminum casting, compact and simple design-developed by TechnoAlpin. The proven valve system, the integrated stainless steel water filter, the drain valves and the reliable sensors guarantee trouble-free operation

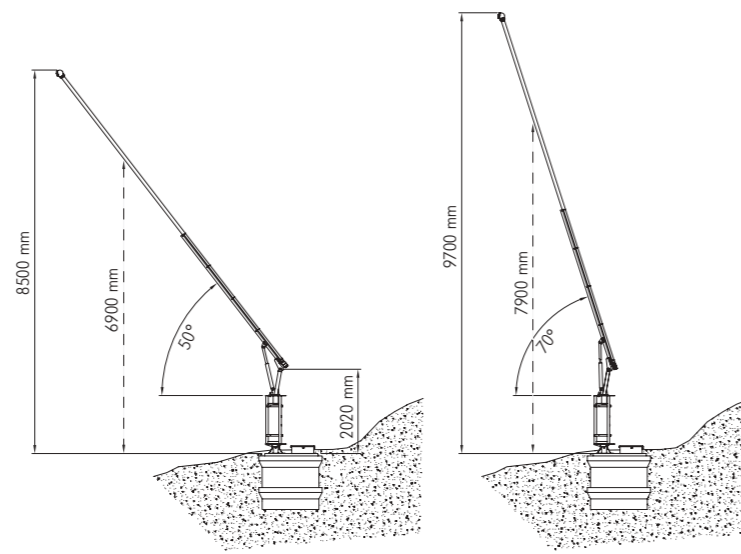
and long service life. **3 Light-weight structure design** The robust structure in hot dipped galvanized steel with compact dimensions and great stability makes it easy to install in a wide range of applications. The hydraulic vertical lift, the manual horizontal positioning and the integrated electrical cabinet are easy to operate and access. **4 Control unit** The snow tower can be supplied as a fully automatic version for network configuration or with its own stand alone user friendly LCD control unit. **5 Ring gear bearing** The ring gear bearing in the base assembly enables safe positioning of the snow gun for all snowmaking and maintenance operations regardless of the boom angle.

6 Hydraulic vertical adjustment The tower is equipped with a compact hydraulic cylinder pump for easy height adjustment. A throttle valve prevents uncontrolled retraction of the boom and a safety locking bracket guarantees safe operation. **7 Slot-in base** The simple and robust slot-in stand makes initial installation fast and efficient. It also simplifies the disassembly if summer storage of the gun is required. **8 Valve shelter** The TechnoAlpin shelter gives the lance necessary stability, it also contains the automatic valve block and the power distribution components. **9 Boom** The extruded aluminum boom has integrated air and water lines- a compact solution which protects the air and water lines.



- Impressive throw.
- Wide-angle snow cover.
- Optimum snow quality at marginal temperatures.
- Good cross-wind tolerance.
- Perfectly tuned flow control.
- Reliable automation.
- No ice build-up on the head even at very low temperatures.
- Proven valving system.
- User-friendly operation.





Air-water gun A30

Height in lowest operating position	8500 mm (6900 mm*) 28 ft (23 ft*)
Height in highest operating position	9700 mm (7900 mm*) 32 ft (26 ft*)
Max. vertical angle	70 deg.
Min. vertical angle	30 deg.
Height of tower support assembly	2020 mm (6,6 ft*)
Axial rotation	350 deg.
Min. water pressure	12 bar
Permanent nozzles	12
Switchable nozzles	10
Nucleators	3
Settings	4

* with 6 m boom



It is great to rely on someone!

TechnoAlpin has 21 branch offices worldwide. We offer on site customer service 24 hours a day. Customers can rely on TechnoAlpin service whenever and wherever they are, thanks to our professional staff of field support and our large inventory of spare parts. Our technicians are able to offer individual solutions tailored to your needs.



www.technoalpin.com

A 30



english

el/m/med/16

